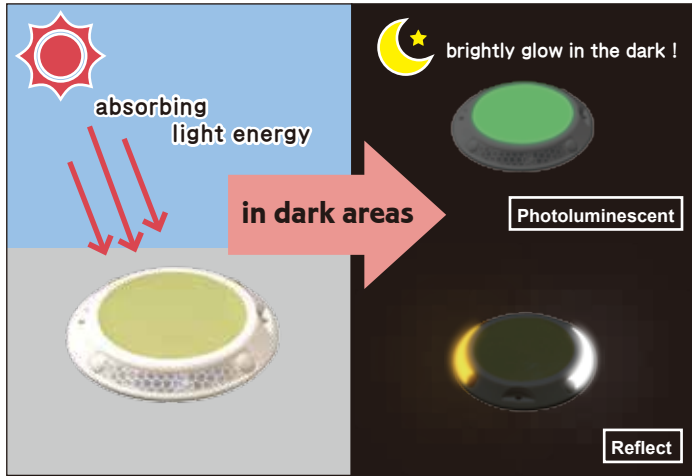


Photoluminescent-Retroreflective Road Stud α -Stud



Excellent Visibility in total darkness

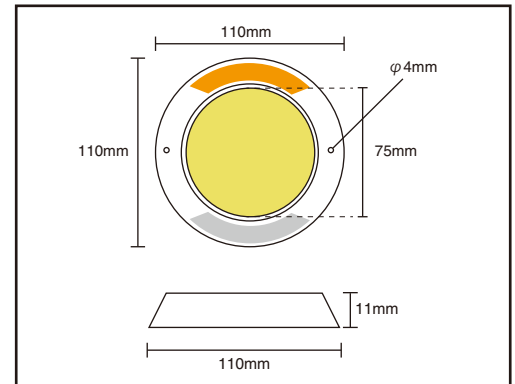
α -STUD absorbs and stores light energy such as sunlight and brightly releases stored light energy in the total darkness. The brightness is classified as **DIN 67510 Class E.**

α -STUD is mostly effective in areas where street lighting is not available and not cost effective!

α -STUD also improves safety for drivers by providing excellent reflectivity and visibility!

Product Specifications

Materials	Photoluminescent Pigment / Retroreflector / ABS plastic
Size	Diameter:110mm / Height:11mm
Weight	85g
Bearing Weight	1.5t
Glow Color	Yellow-GREEN
Installation	Epoxy glue / Silicon glue

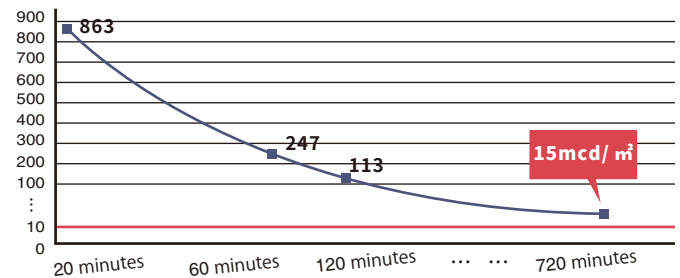


Technical Data

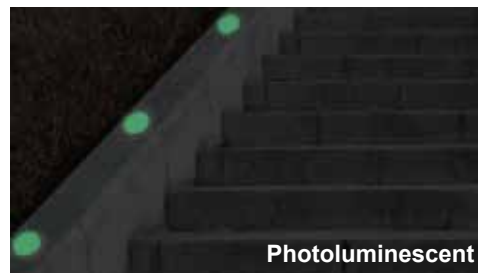
Afterglow brightness of Photoluminescent

Class	α -STUD	JIS Standard (JIS Z 9098)
Class II	15mcd/ m²	10mcd/ m ²

The luminance is measured at 720 minutes in full darkness following previous light activation by 400 μ W/c m² of Xenon lightning for 60 minutes according to Japanese Industrial Standard" JIS Z 9098"



Applications



Contact us: